

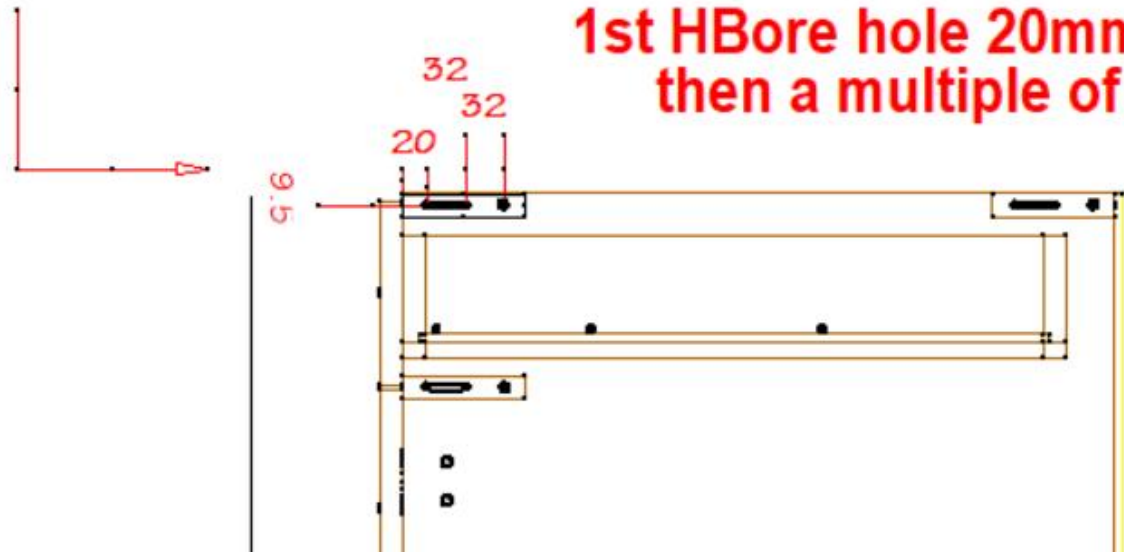
**\*\* If Manual HBore, do all holes 27mm depth**

**Hclip 8mm holes, 21mm depth min.**

**Spring Pin 8mm holes, 27mm depth**

**8mm hole center is 9.5mm from outside surface**

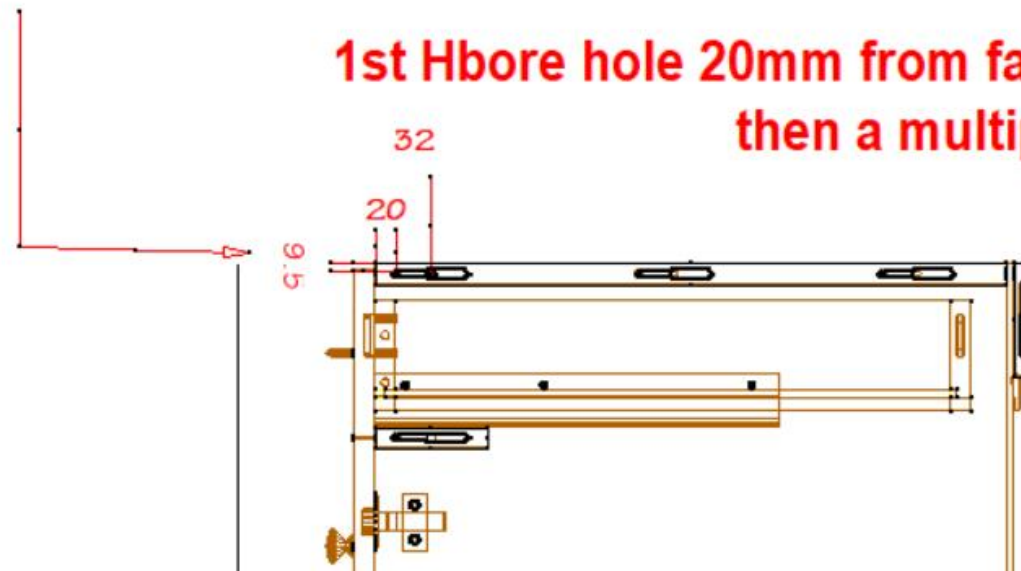
**1st HBore hole 20mm from face  
then a multiple of 32mm**



**\*\* If Manual Hbore, do all holes 27mm depth**

**Channellock 8mm holes, 21mm depth  
Spring Pin 8mm holes, 27mm depth**

**hole center is 9.5mm from outside surface**



**1st Hbore hole 20mm from face**

**then a multiple of 32mm**